

Techtrol Level Indicator Controller 'TLIC'

It is a microcontroller based programmable indicator controller. It is used in conjunction with any 2 or 4 wired level transmitter for remote monitoring and control.

Salient Features

- Bright red color display
- User friendly program
- Four relay outputs independently configurable
- Isolated re-transmission 4-20 mA output (optional)

Specifications

Range	: 0 to 9999
Decimal Position	: Selectable
Accuracy	: 0.25% FSD
Display	: 0.5", 4 digits, 7 Segment Red LEDs
Indication (Alarm)	: Red LEDs ('Relay On' status)
Programming	: Through four keys
No. of Set Points	: 4
Power Supply	: 90-270 VAC or 24 VDC \pm 10%
Supply to Transmitter	: 24 VDC, 30 mA
Input	: 4-20 mA from transmitter
Relay Outputs	: 4 nos x SPDT, 5A @ 250VAC potential free contacts independently configurable on alarm & set-reset
Power	: < 15VA
Enclosure	: 1) ABS Plastic x IP41, Panel Mtd. Size: 96 x 96 x 135 D mm 2) ABS Plastic x IP65 Wall Mtd. x PG 11 Cable Glands, Nylon Size: 200 L x 120 B x 75 H mm 3) Cast Al Exd Gr IIB, IP65, Wall Mtd. x 1/2"NPT DC Cable Glands, Brass Size: 275 L x 185 B x 175 D mm
Amb. Temperature	: 0 – 55 °C
Humidity	: 90 % Non-condensing
Special Feature	: Retransmission 4-20 mA O/P isolated : (Source Type) Max. Load 400 Ohms



Panel Mounted



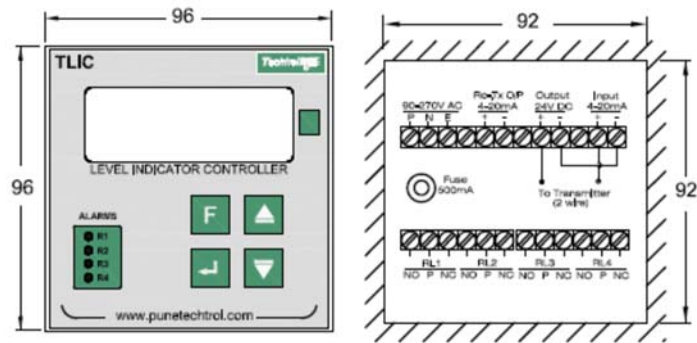
Wall Mounted IP65



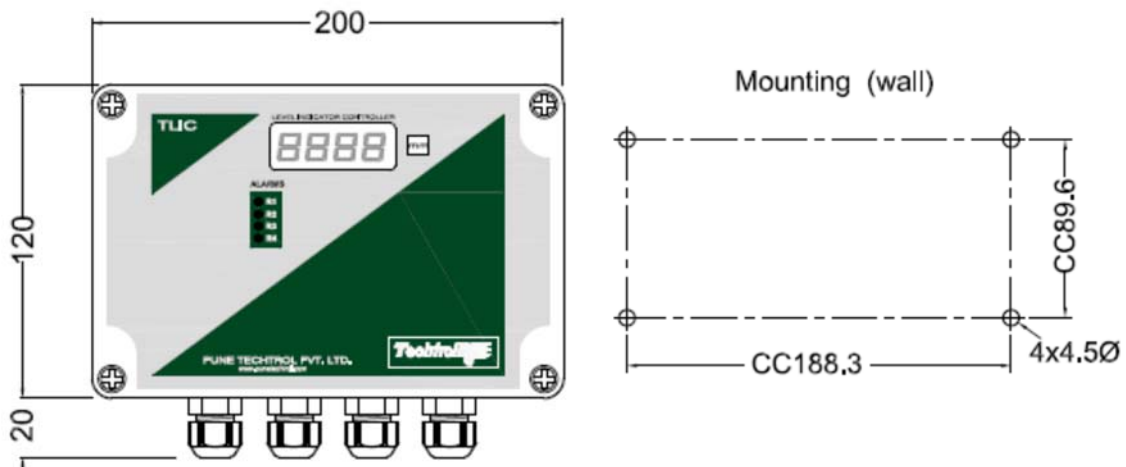
Wall Mounted Ex d IIB

Dimensions & Mounting Details

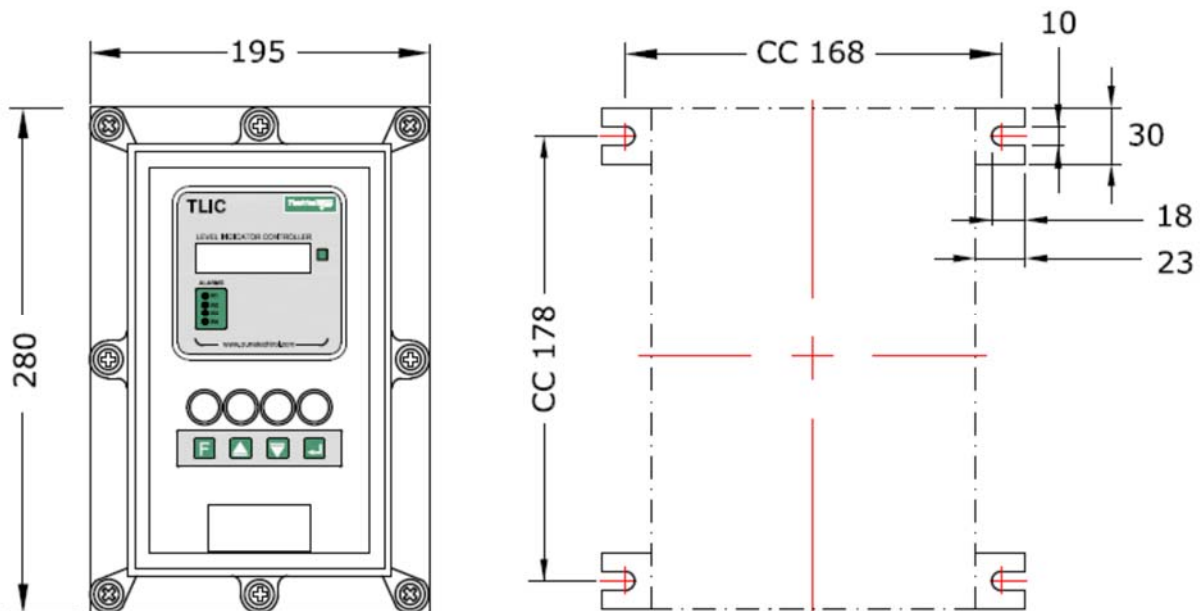
Panel Mounted IP41



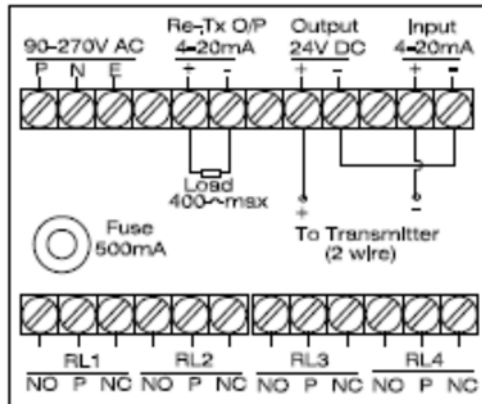
Wall Mounted WP IP65



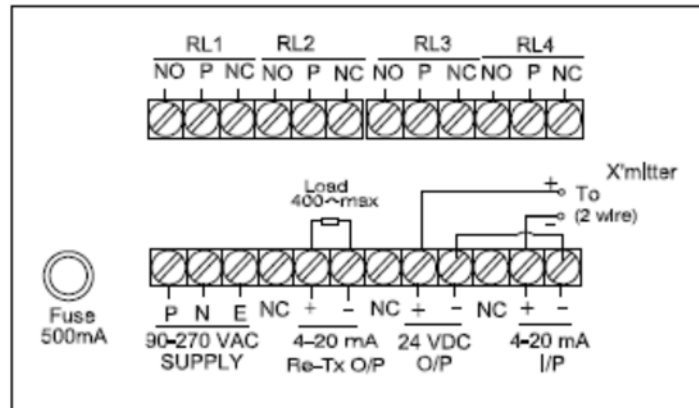
Wall Mounted Exd Gr. IIB



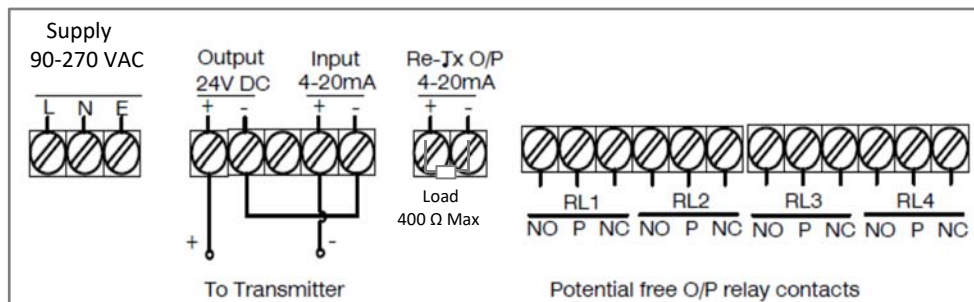
Wiring Termination



Panel Mounted



Wall Mtd. Exd IIB



Wall Mtd. IP65

Model Identification

TLIC -				
Enclosure x Conduit Connection				
ABS, panel mounted, IP41		P		
Cast Al. IP65 wall mounted x PG11 cable glands		J		
Cast Al. Exd Gr. IIB T6, IP65 wall mounted x 1/2" NPT DC cable glands		E		
Power Supply				
90-270 VAC			1	
24 VDC			2	
Calibration				
Level in mm				1
Level in cm				2
Level in %				3
Others				O
Special Feature				
Without				W
Re-transmission 4-20mA output				R
Others				O

All dimensions in mm expect specified