

Techtrol Ultrasonic Level Transmitter for Liquids - **Ultraxt**

It is a non-contact type transmitter based on principle of 'Time of Flight' of ultrasound signals, for continuous level measurement of liquids.

Salient Features

- Compact & easy to install
- Integral 4 digit display
- Easy calibration & programming through built-in keys
- Interface liquid level measurement (foaming liquid)

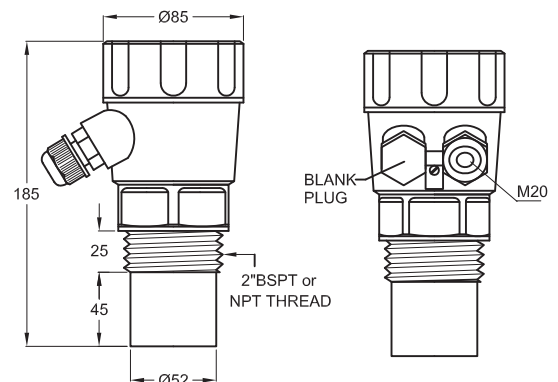


Construction & Working

It consists of an ultrasonic transducer integral with microcontroller based electronics housed in an enclosure. Ultrasonic pulses emitted from the transducer to the service medium are reflected back and sensed by the electronics to provide 4-20mA current output.

Specifications

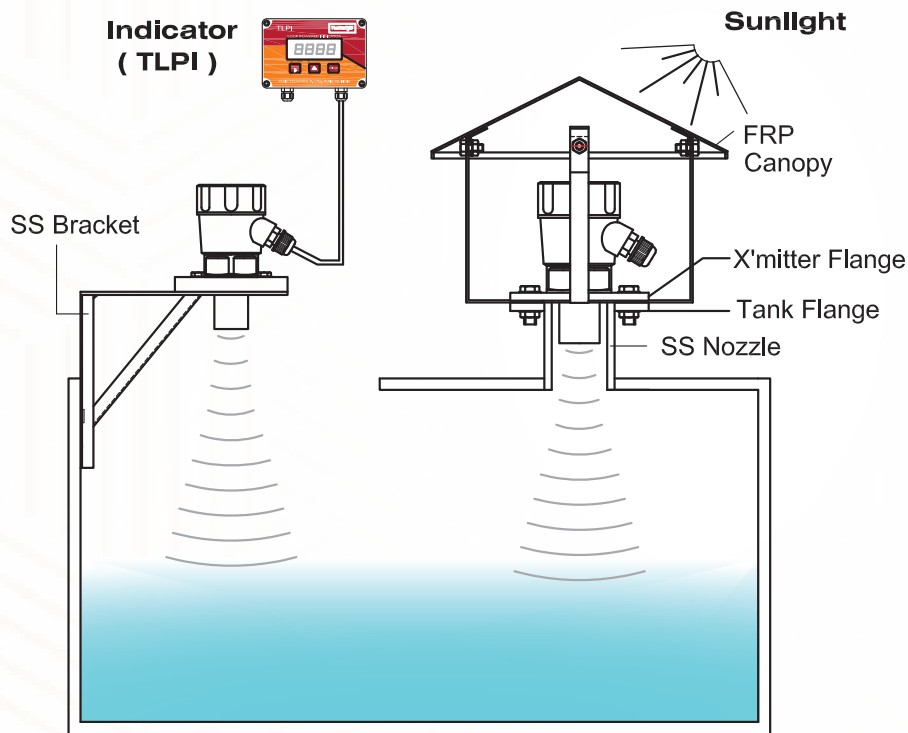
Measuring Mode	: Level
Measuring Range	: 12 mtrs
Blanking Distance	: 250 mm
Beam Angle/Frequency	: 7° / 50 KHz
Supply	: 7-28 VDC
Output (2 wire)	: 4-20 mA DC + HART
Power Consumption	: 500mW @ 24VDC



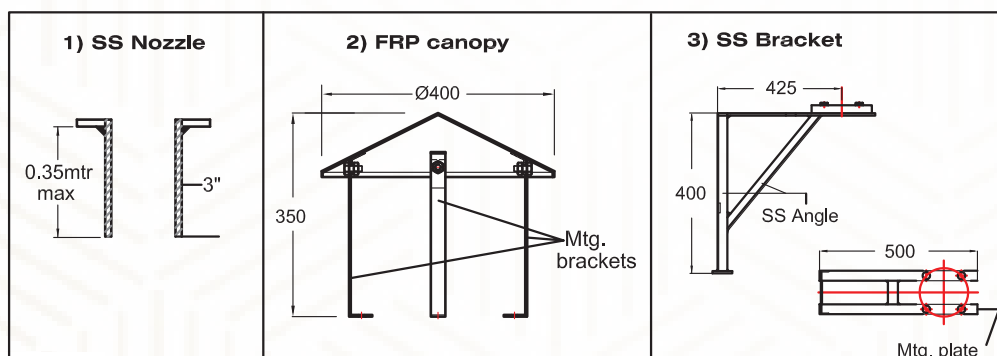
Schematic Drawing

Display	: Integral 4 line graphic display
Accuracy/ Resolution	: 0.25% FS / 1 mm
Enclosure	: Powder coated Aluminum, IP67
Cable Gland	: M20 x 1.5 mm
Transducer	: PVDF
Process Connection	: 2" NPT threaded x 3" ASME B16.5 150 # flange x PP
Optg. Temperature	: -40 to 60 °C
Max. Optg. Pressure	: -0.5 to 3 bar

Installation



Accessories



Model Identification

Ultranxt -

Process Connection

- 2" NPT Threaded-----1
- 2" NPT x 3" ASME 150# PP Flange -----2

Display Instruments

- Not Provided----- W
- LP- Cator (Loop Powered Indicator)----- L
- TLICP (Indicating Controller Programmable)----- I
- TUIC (Universal Indicating Controller)----- U
- Others ----- O

Accessories (to be ordered separately)

1. Floatation Cell Assy.
2. CS Mtg. Bracket (500 or 1000 mm)
3. CS Flanged Nozzle (3"NB)
4. FRP Canopy
5. Signal Cable, 2 core, 1mm² PVC screened pair (in mm)

Ordering Information

1. Model no x Liquid x Operating Temperature & Pressure
2. Required accessories

Applications

Storage Tanks, Filter Beds, Scrubber, Flotation Cells, Water/ Waste Water Treatment, Nuclear / Thermal Power Plants, Effluent Treatment Plants, Canals and Irrigation.

All dimensions in mm except specified

PUNE TECHTROL PVT LTD

[CIN: U31909PN1991PTC063403]

Regd. & Sales: S-18, MIDC Bhosari, Pune - 411026, India

Works: J-52/7, MIDC Bhosari, Pune - 411026, India

Tel.: +91-20-67313600

Email: ho@punetechnrol.com

www.punetechnrol.com 

