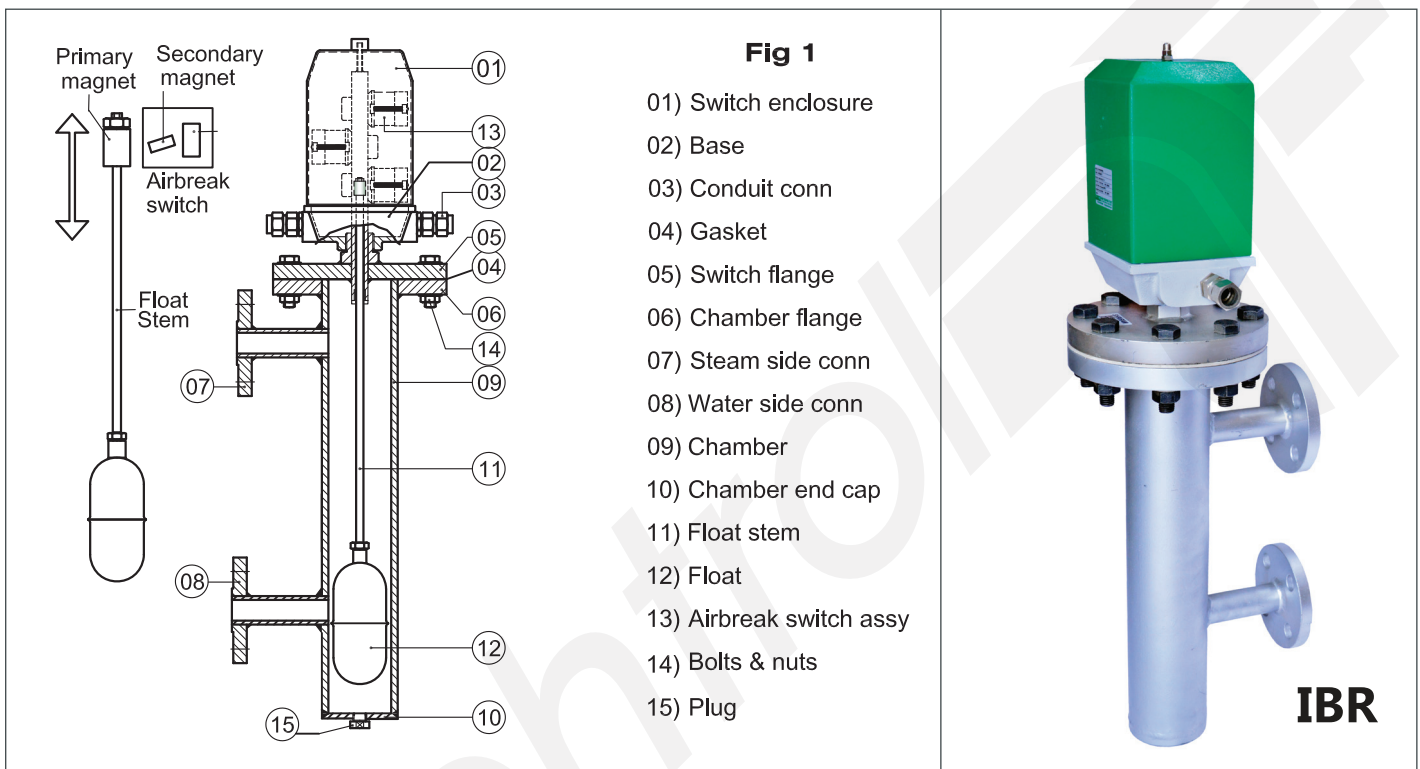


TECHTROL VERTICAL LEVEL CONTROL FOR BOILER "VLC"

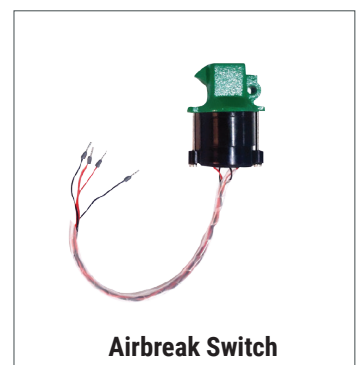
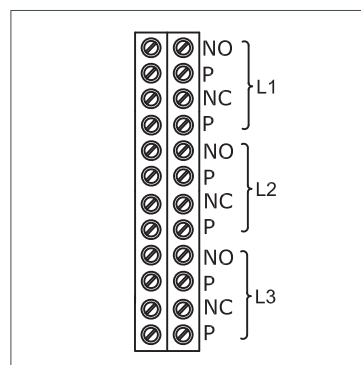
It is a versatile magnetic float operated device, top mounted in external chambers of steam boilers / pressure vessels and most suited for reliable automatic on-off control of boiler feed pumps, burner cut-outs or lock-outs, high or low level alarms or their combinations.



SALIENT FEATURES

- Bistable switch action
- Adjustable multiple switch mechanisms
- Process temperature upto 250°C
- Working steam pressure upto 25 kg/cm²
- IBR Approved for Steam Boiler

TERMINATIONS



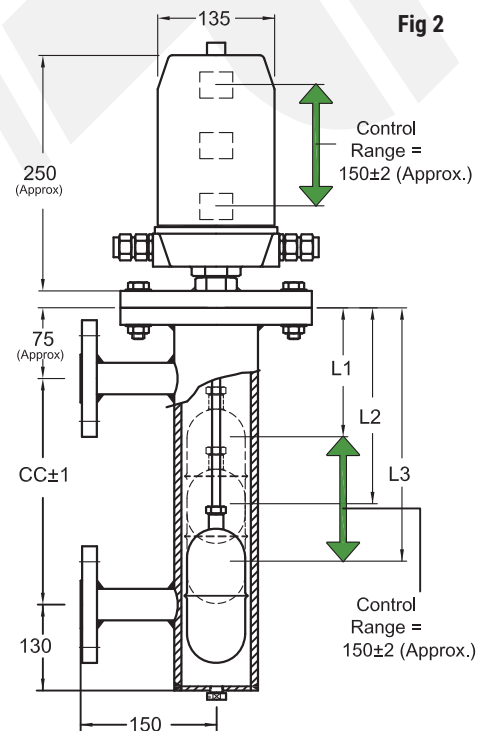
CONSTRUCTION

The float mounted in the external chamber, moves upward or downward, depending on rising or falling of liquid in the boiler/ vessel. This initiates the float stem, carrying a primary magnet at its upper end, to slide up or down, inside a non- magnetic central tube and cause the secondary magnet to actuate air-break contacts for onward operation of auxiliary devices (fig 1). A maximum of 3 switch mechanisms can be provided, which are housed in a weatherproof enclosure and clamped onto central tube, to provide a control range of 150 mm (Refer fig 2).

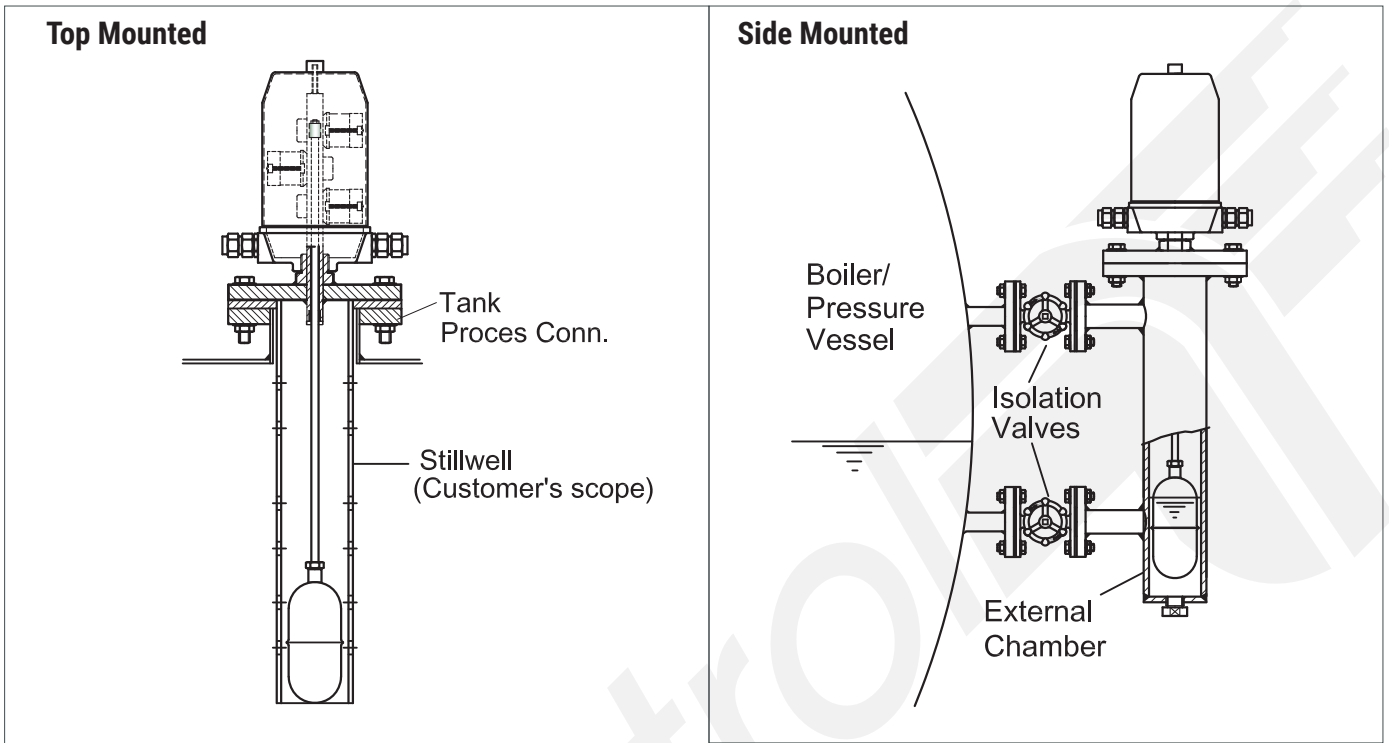
SPECIFICATIONS

Switch Enclosure	:	Cast Al. Base + CS Powder Coated Cover
Conduit Connection	:	1/2" NPT Cable Gland (Brass)
Switch Mechanism	:	Adjustable, Airbreakswitch x 5A, 230 VAC (SPDT)
Switch Action	:	Bistable
No.of Switch Mechanisms	:	Max Three (Adjustable)
Control Range	:	150 mm (Approx)
Operating Differential	:	25 ± 5 mm
Terminals	:	To suit 2.5 mm ² conductor
Float & Stem	:	SS316
Float Size	:	Ø65 x 165 mm
Chamber	:	CS with End Plate or Dish End
Process Connections	:	25 NB T 'H' or ASME 300# Flange
Gasket	:	CAF, CNAF, SS304 spiral wound
CC Distances	:	200, 216, 300, 400 or 500 mm
Drain	:	1/2" NPT Plug or Globe Valve
Max. Temperature	:	Standard - 250°C, High Temp- 300°C with Radiating Fins
Test Pressure	:	upto 50 kg/cm ²
Min. Liquid Density	:	0.8 g/cm ³

SCHEMATIC DIAGRAM



INSTALLATION



MODEL IDENTIFICATION

	VLC -							
1. Approval								
None	W							
IBR	B							
2. Process Connection								
25 NB, BS 10 T 'H' Flange	1							
25 NB ASME 300 # Flange	3							
80NB ASME 300 # Flange (w/o chamber)	4							
Others	0							
3. No. of Levels/Switch Mechanism								
One		1						
Two		2						
Three		3						
4. Chamber								
Without			W					
CS Chamber with end plate			1					
CS Chamber with dish end			2					
Others			0					

5. CC Distance				
200 mm		2		
300 mm		3		
400 mm		4		
500 mm		5		
216 mm		6		
Others		0		
6. Float & Stem				
SS316		S		
Others		O		
7. Max Temperature				
Standard - 250 °C			S	
High Temp - 300 °C with Radiating Fins			H	
8. Drain				
Without (<i>Without Chamber</i>)				W
1/2" NPT Plug				1
1/2" NPT Globe Valve				2
Others				0

ORDERING INFORMATION

Please specify Model No., Operating Temp., Pressure & Set Point Positions (L1, L2 & L3)

All dimensions in mm except specified

PUNE TECHTROL PRIVATE LIMITED

CIN: U31909PN1991PTC063403



Regd. & Sales: S-18, MIDC Bhosari, Pune - 411026, India
+91-20-66342900 | ho@punetechtrol.com

Works: J-52/7, MIDC Bhosari, Pune - 411026, India
+91-20-67313600 | www.punetechtrol.com