

# TECHTROL UNIVERSAL INDICATOR CONTROLLER "TUIC"

*It is an advanced microcontroller based, programmable level indicator controller. It can be used in conjunction with any 2 wire or 4 wire transmitter for remote level, volume monitoring and control.*

## SALIENT FEATURES

- Accuracy  $\pm 0.25\%$  of FSD
- Two character tank identification
- Volume indication irrespective of tank shape
- User friendly program with password protection
- Independently configurable 4 relay outputs
- Isolated Re-transmission O/P of 4-20mA (Optional)
- Serial communication RS485 Modbus RTU (Optional)

## CONSTRUCTION & OPERATION

It accepts an input signal of 4-20 mA from level transmitter. This analogue input is digitised through A to D convertor and processed further to display the value of level & volume on LCD. It is provided with four relay outputs which are independently configurable for alarm or set-reset. An option of 4-20mA re-transmission and RS485 communication is provided as an option.



Panel Mounted IP41

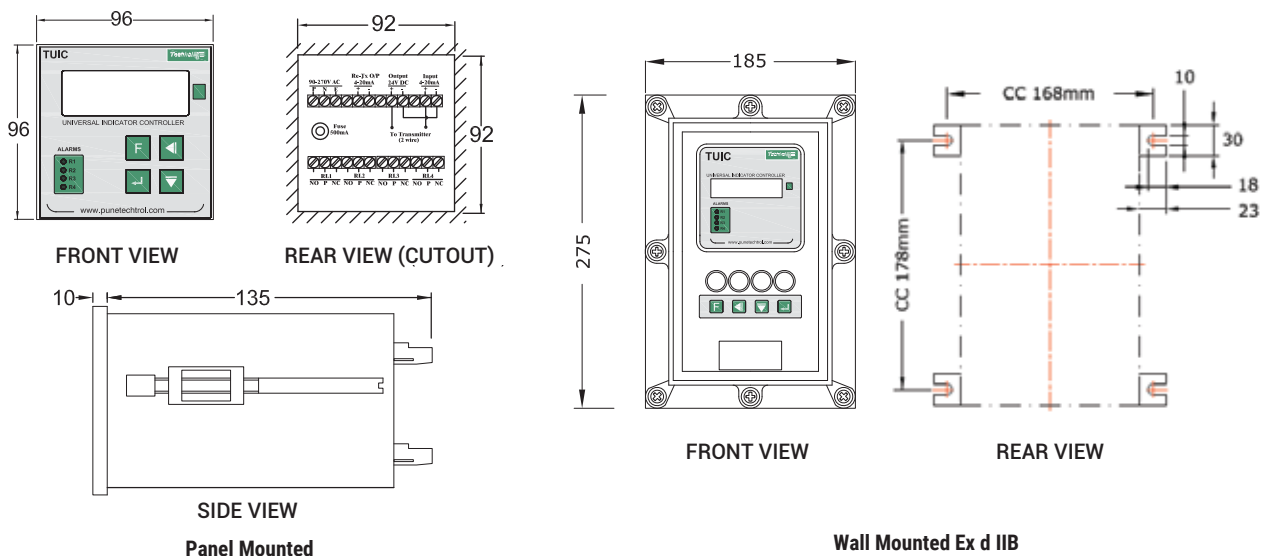


Wall Mounted Ex d IIB

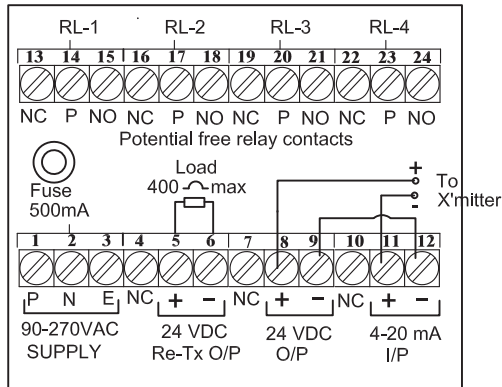
## SPECIFICATIONS

Display	: 2 line x 16 character dot-matrix backlit LCD display with 4 mm height character
Indication	: 1) 2 digits Tank Identification 2) 5 digits Level (% , mm, cm, m) 3) 7 digits Volume (% , Liter, KL, gal, Ton)
Indication (Alarm)	: Red LEDs ('Relay On' status)
Programming	: Through four keys
No. of Set Points	: 4
Power Supply	: 90-270 V AC or 24 V DC $\pm$ 10%
Supply for Transmitter	: 24 V DC, 30 mA
Input	: 4-20 mA
Power Consumption	: < 15 VA
Accuracy	: $\pm$ 0.25% of FSD
Relay Outputs	: 4 Nos. x SPDT, potential free contacts 5A, 250 V AC independently configurable on alarm & set - reset
Enclosure	: 1) MS Powder ctd, Panel Mounted, IP41; Size: 96 x 96 x 135 mm(D) 2) Cast Al. Wall Mounted Ex d Gr IIB x 1/2"NPT Double Compression Cable Gland Size: 275 x 185 x 175 mm(H)
Ambient Temperature	: 55 °C
Humidity	: 90 % Rh Non Condensing
Special Features	: 1) Retransmission 4-20 mA o/p isolated (Source Type), Max load 400 Ohms 2) RS485 Modbus RTU Communication

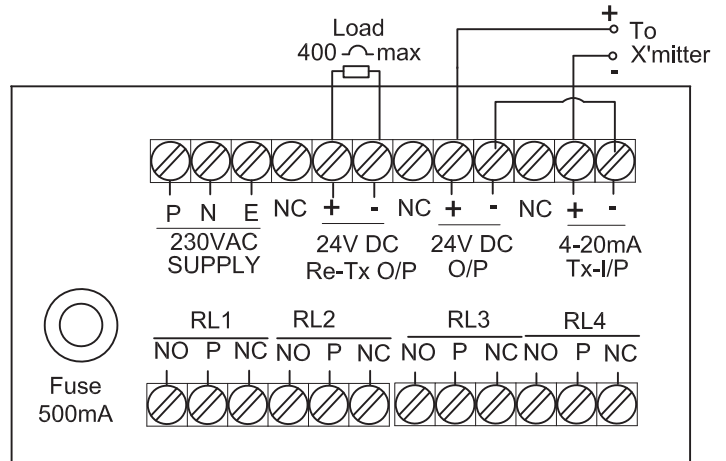
## DIMENSIONS & MOUNTING DETAILS



## WIRING AND TERMINATION



Panel MTD



Wall MTD

## MODEL IDENTIFICATION

	TUIC -		
<b>1. Enclosure x Cable Entry</b>			
MS Powder Ctd., Panel Mounted, IP41	P		
Cast Al. Wall Mounted Ex d Gr. IIB x 1/2" NPT DC Cable Gland	E		
<b>2. Power Supply</b>			
90-270 V AC		1	
24 V DC		2	
<b>3. Special Features</b>			
Without			W
Re- transmission 4-20 mA O/P			R
RS-485 Modbus RTU Communication			S
Re-transmission 4-20 mA O/P + RS-485 Modbus RTU Communication			C